

SAC3500S

SANY All Terrain Crane
350 Ton Lifting Capacity



Max. Lifting Capacity: 350 t
Max. Boom Length: 81 m
Max. Lifting Height: 118 m

Remarkable Performance

- Overall layout of crane is more compact and reasonable, and key structural parts are optimized in their design, making our lifting capacity go ahead of same-tonnage products in industry.
- Overall length of boom: 81m; length of fixed jib: 42m; lifting height: up to 118m; working radius: up to 80m. Besides, it is convenient to switch the operation modes, increasing the working efficiency.
- Exclusive operation mode for wind power equipment in industry: Boom of 64.9m + super-lifting device + extension section of 6m + wind-power jib of 8m; its lifting capacity could reach up to 37t at 15m of working radius, meeting the maintenance requirements of wind power equipment below 2MW.
- The crane is equipped with the six-axle chassis of innovative design and multiple braking modes and suspension modes, making the chassis driving performance more reliable and comfortable.
- Developed independently by our company, the dual-pump interflowing/diverging technology could increase not only the efficiency, but also the controllability.

Excellent Quality

- The crane adopts the telescopic boom pinned with one cylinder, and thus the interlocking of boom pins, accompanied with triple protections (mechanical, electrical and hydraulic aspects), increases the crane reliability.
- The unique closed-type slewing buffering system could start and stop the slewing mechanism more steadily, featuring the more excellent micro-motion.
- With the dual-pump interflowing/diverging technology developed independently by our company, the dual pump increases its interflowing efficiency at single action and its diverging controllability at combined action.
- The adopted variable plunger pump with electric proportion could control the flow at high accuracy, not only increasing its working efficiency, but also saving energy.
- The crane is equipped with internationally-advanced distributed communication network with integrated BUS and various sensors to timely feedback the data and information, realizing the real-time monitoring of complete-crane working status.
- The multifunctional wireless remote control system could ease the crane working. Additionally, the safety and protection program and

the fault judgment system could ensure the crane works more safely and reliably.

- With the initiative man-machine interaction interface in China, customers could set up the crane's controllability according to their operation habits and service conditions, so as to meet their personalized needs.
- Ranked at top in the world, the adopted oil-air suspension technology could adapt to all kinds of poor road conditions, making the trafficability more better and the driving more comfortable.
- The crane is equipped with the streamlined full-width cab and the panoramic sunroof-type control room that can change its position, featuring wider vision and more comfortable operation.
- The widely-applied advanced manufacturing process could keep improving each process and procedure, and thus ensure the excellent performance of crane.



Energy-Saving and Environment-Friendly

- Complete crane weight is optimally configured and overall layout is reasonable and compact, so that it merely consumes 100L of fuel per hundred kilometer and thus saves more fuel.
- With the electric proportional pump, its displacement and speed are controlled with gears, saving energy by 20%.
- Pioneered domestically, the smart speed-regulating technology is realized through dual-pump interflowing/diverging, which could combine different actions, increasing working efficiency and saving more fuel.

Safe and Reliable

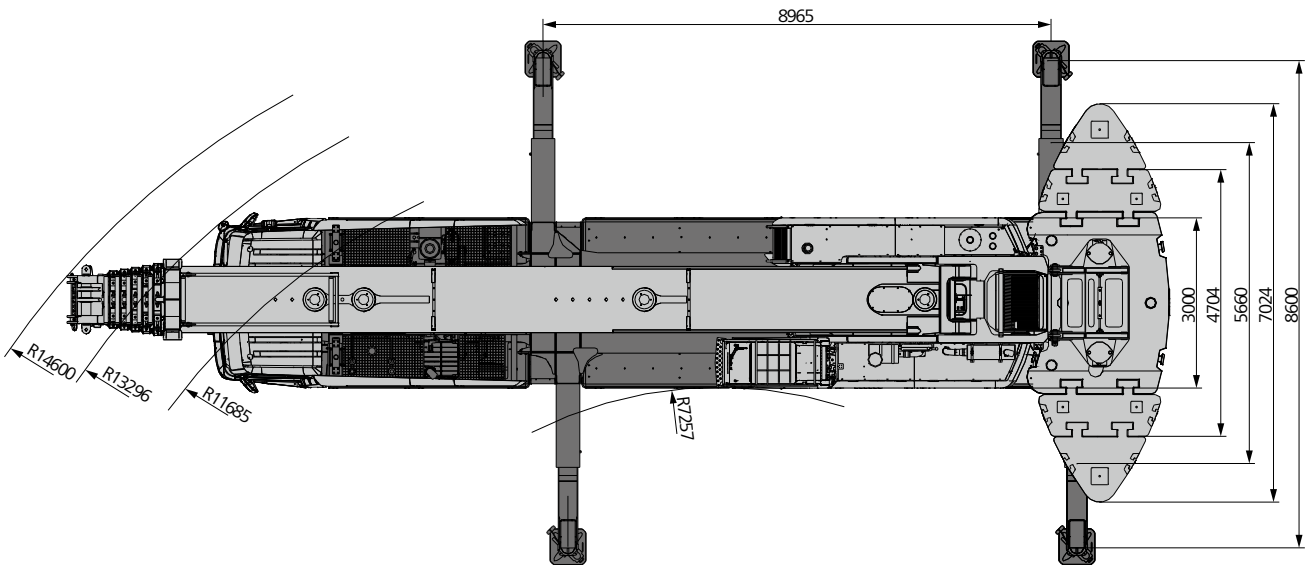
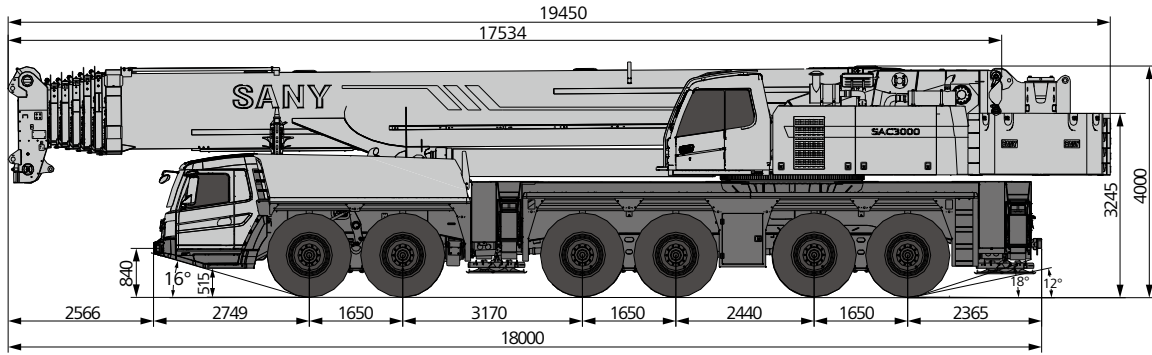
- The equipped anti-rollover warning system could give the audible and visual early-warning, so as to ensure the safe operation.
- The equipped voice alarm system could give the voice prompt to different actions to not only avoid any mis-operation, but also to alert the surrounding personnel, which could ensure the safety of both vehicle operations and personnel.
- The adopted torque limiter system is featured with high accuracy, high stability and high intelligence, comprehensively protecting the lifting operation.
- The various sensors could timely feedback the data, so that the complete-vehicle working status could be learned and monitored in real time.

GCP system

- The remote monitoring and management system is initiative domestically and functions powerfully to collect the equipment-running status and working parameters, so as to implement the remote diagnosis and management of faults.
- Customers could master the equipment running status and query and order spare parts without leaving home.



Overall Dimensions



Technical Parameters

| Type | Item | Unit | Parameter | |
|---|--|--------------------------------------|----------------|-----------|
| Rated lifting capacity | Max. lifting capacity | t | 350 | |
| Dimensions | L X W X H | m | 18×3×4 | |
| Weight | Gross weight | kg | 72000 | |
| | Load per axle | kg | 12000 | |
| Power (carrier) | Rated power | kw/rpm | 480/1800 | |
| | Max. torque | N·m/rpm | 3000/1300 | |
| Power (superstructure) | Rated power | kw/rpm | 205/2200 | |
| | Max. torque | N·m/rpm | 1100/1200~1600 | |
| Travel | Max. travel speed | km/h | 80 | |
| | Steering radius | Min. steering radius | m | 11.68 |
| | | Max. steering radius at boom tip | m | 14.4 |
| | Wheel formula | | 12×8 | |
| | Min. ground clearance | mm | 360 | |
| | Approach angle | ° | 16 | |
| | Departure angle | ° | 16 | |
| | Max. gradeability | % | 49% | |
| Fuel consumption per 100km | L | ≤100 | | |
| Main performance | Service temperature range | °C | -20~+40 | |
| | Min. rated radius | m | 3 | |
| | Tail slewing radius | m | 5.74 | |
| | Boom sections | Qty. | 7 | |
| | Max. lifting torque | Basic boom | kN·m | 9900 |
| | | Full-extend boom | kN·m | 5400 |
| | | Full-extend boom + longest fixed jib | kN·m | 1340 |
| | Boom length | Basic boom | m | 15.4 |
| | | Full-extend boom | m | 81 |
| | | Full-extend boom + longest fixed jib | m | 69.9+6+42 |
| Outrigger span (longitudinal X lateral) | m | 8.95×8.5 | | |
| Jib offset | ° | 0, 20, 40 | | |
| Work-speed parameters | Max. lifting speed of single rope of main winch (empty load) | m/min | 120 | |
| | Max. lifting speed of single rope of fly jib winch (empty load) | m/min | 120 | |
| | Fully-extend/retract time of boom (automatic extension/retraction) | s | 780 | |
| | Luffing up/down time of boom | s | 75/110 | |
| | Slewing speed | r/min | 1.2 | |

Crane Introduction

Control room

- The control room is made of stampings through welding and is mounted with safety glass, sunshade and outwards-opening door. Besides, the control handle is mounted on the maneuvering box, which conforms to the ergonomic principle. Moreover, the humanized designs make the operation easy and comfortable, such as the anti-corrosion composite structure reinforced with fiber glass, full-coverage softened trim, panoramic skylight, tilting and positioning handle and seat backrest. Additionally, the touchscreen type display could change its angle of view to ensure the working safety from multiple images and angles. Main winch and super-lifter winch are equipped with monitors, so as to monitor the key areas. Besides, the main console works together with the operation and display system, showing the easy and convenient man-machine interaction. Additionally, the control room could tilt up by 20°, for high-altitude operation. The cooling/heating A/C is mounted in control room.

Superstructure engine

- Type: Benz OM906LA.E3A/1, electric control, in-line six-cylinder, water-cooling, supercharger, inter-cooler, diesel engine;
- Power: 205kw/2200r/min;
- Max. torque: 1100Nm/1200~1600rpm ;
- Environment friendly: In compliance with Euro-III emission standard;
- Effective capacity of fuel tank: 300L.

Boom system

- Main boom: Main boom is composed of one section of basic boom and six sections of telescopic arm. It is made of fine-grain high-strength steel plates through bending and welding and is shaped in oval cross section to better resist the buckling performance. In addition, the automatic one-cylinder pinning system is adopted and one dual-action cylinder could control all booms and jibs to telescope. Therefore, there are multiple combinations of boom lengths, with basic boom length of 15.4m and fully-extended boom length of 81m;
- Jib: Jib length combination: 6m~42m (excluding the adapter length); jib angle: 0°/20°/40° adjustable according to actual needs at operation mode;
- Super-lift device: The super-lifting devices are mounted at left and right of basic boom head, independently from each other, and could be removed/installed without any auxiliary means. The super-lifting device could greatly better the stress status of boom to avoid the sided bending and deflection. Therefore, under the long boom status, the deflection could reduce by 20%-30% and lifting capacity could increase by 200%.

Slewing System

- It is composed of fixed-displacement motor and slewing reducer that are mature technically and widely applied on truck crane. Besides, the slewing system is engaged externally with the slewing bearing to slew by 360° at the stepless speed range of 0-1.2rpm. In the slewing system, the hydraulic system is of close type, and thus could avoid the flow loss occurring to the open-type hydraulic system and increase the efficiency. The electric-proportion brake pedal could realize the emergency braking.

Turntable

- It is designed independently by SANY and made of fine-grain high-strength steel, with optimized structure.

Hydraulic system

- On the upperstructure, the combined close-open hydraulic system is characterized with load sensing, low speed at heavy load, high speed at light load and high efficiency of actions. Moreover, the luffing and telescoping system adopts the open system consisting of electric-control proportional pump and self-made main valve, so as to calibrate the pressure with one button and to perform the smart correction. In this system, different actions are matched with the corresponding pressure grades and the electric-proportional pump displacements, realizing the energy-saving, safe luffing and telescoping. Moreover, the winch system adopts the close-type system, so that not only the hook is fast to respond, but also the working efficiency increases and speed-regulation range widens. The slewing system adopts the close-type system, so that the system starting/stopping has no delay, with smooth actions and good micro-controllability. In addition to the realized upperstructure slewing, boom luffing and main winch lifting/lowering, the following functions can be realized: counterweight lifting/lowering, control room rotating and turntable lock-up;
- The key components, such as hydraulic pump, plunger motor and balance valve, adopt the internationally first-class brands, featuring the good qualities and high reliabilities. The open-close type electric-proportion pump could adjust the displacement in real time, realizing the flow control at high accuracy and the minimized energy waste. Additionally, the main valve with dual-pump interflowing/diverging technology is independently developed by our company, so as to regulate the system pressure and flow in a stepless way and to control the dual loops in a non-interfering way. At single action, the dual pump has high interflowing efficiency; at combined action, the dual pump has good diverging and smoothness. In luffing system, the hydraulic system is characterized with dead weight lowering and pressurized lowering as compensation, and thus good lowering micro-motion and smoothness. The boom adopts the one-cylinder pinned telescoping system;
- Hydraulic oil tank capacity: 1290L.

Crane Introduction



Winch System

- Main winch: It is mainly composed of planetary-gear reducer driven with hydraulic motor, special winch drum for wire rope, and built-in brake;
- Wire rope slings: The high-quality rope lock is adopted, and the wire rope end is casted and directly mounted into the lock bushing, speeding up the switching of lifting ratio;
- Wire rope specifications: $\Phi 24$ -2160, wire rope not rotatable;
- Maximum single-rope speed: about 130m/min.



Luffing system

- The luffing is of single - cylinder forward-jacking type, with luffing angle between -0.4° and 82° . In hydraulic system, the circuits are of dual-pump interflowing and diverging type and are controlled in the electric-proportion type. Moreover, the lowering under power is combined with the one under dead weight, realizing the fast lowering at high angle and slow lowering at a small angle.



Control System

- The control system is powered with 24V DC power supply through cables. Moreover, the PLC integrated programmable controller, as well as CAN-BUS control network, could work together with the regular electrical system, so as to implement the logic control and electric proportional control.
- Real-time monitoring and automatic diagnosis of fault;
- The lifting, slewing and luffing are controlled by the multi-directional electric-proportional handle that is able to reset by itself; the telescoping is controlled by the telescopic pedal; the counterweight lifting, control room tilting and turntable locking are controlled with the buttons on the control panel.
- Display is connected to the controller through the CAN BUS, with main functions shown below: Digital adjustment and display of the electric-proportional control parameters; display of fault code of electric-proportion system; display of real-time detected data of hydraulic system.



Safety device

- By adopting the analytical mechanics method, the moment limiter calculation system is built up according to the mechanical model of lifting. Through the online unloaded calibration, the lifting accuracy could reach $\pm 3\%$.
- Hydraulic system is equipped with hydraulic balance valve, overflow valve, and dual-way hydraulic lock, so as to realize the hydraulic system is steady and reliable.
- The main winch is equipped with three-turn protector to prevent the wire rope from over-unwinding.
- The boom and jib are equipped with height limiters at their ends, so as to prevent the wire rope from over-winding.
- An anemometer mounted at end of boom could check if the high-altitude wind speed exceeds the allowable working range.
- Tension protection procedure for the super-lifter to wind or unwind the wire rope; load protection procedure mounted on the jib.



Counterweight

- Combined variable counterweight is adopted. There are 9 kinds of combination modes: 0t, 14t, 28.5t, 43t, 56t, 80t, 100t, 120t (optional), 140t (optional) for the different operation modes, so as to put the performance of structures into full play. Moreover, the removal and installation could be carried out remotely, featuring good micro-motion.

Crane Introduction

Cab

- Being of new steel structure developed independently by SANY, the cab has excellent shock absorption and sealing performance. As for this cab, the doors are outwards-opening type, driver's and co-driver' seats are of pneumatic mounting type and the steering wheel is adjustable. Besides, the cab is equipped with the wide rearview mirror, headrest, anti-fog fan, heating/cooling A/C, stereo radio, as well as complete instrument. In all, the cab is more comfortable, humanized and safer.

Frame

- The frame is developed and manufactured by SANY using the anti-torsion box structures and fine-grain high-strength steel plates through welding, featuring optimized structures and light weight. Besides, the outriggers stand in the special fixing boxes that are between the 2nd and 3rd axles and also on the tail of frame. Additionally, the frame is equipped with hooks mounted at the front and back.

Chassis engine

- **Type:** Electric control, V-shaped 8 cylinders, water cooling, supercharger, inter-cooler, electric injector, diesel engine;
- **Rated power:** 480kW/1800rpm;
- **Max. torque:** 3000Nm/1300rpm;
- **Environment friendly:** In compliance with Euro-V emission standard;
- **Fuel tank capacity:** About 550L.

Transmission

- Manual/automatic transmission has 12 gears and thus wide speed ratio, meeting the requirements of climbing at low speed and traveling at high speed.

Axle

- The axles are completely imported from Germany Kessler and equipped with disc brakes. Additionally, the entire axles can steer, where the 1st, 3rd, 5th and 6th axles are drive axles and the 6th axle is equipped with disengaging device. Therefore, on the normal roads, there are three drive axles, and on poor roads, there are four drive axles. Moreover, the 1st and 2nd axles are equipped with the linkage-feedback hydraulic booster and steering system, and the 3rd, 4th and 5th and 6th axles are mounted with electric-hydraulic controlled steering system for the speed-controlled auxiliary functions and selectable special steering mode, featuring the easy steering and flexible control.

Drive/Steering

- 12x8.

Tires

- 12 tires —14.00R25 (385/95 R25) or 16.00R25(445/95 R25).

Suspension

- The axle suspensions are of height-adjustable oil-air suspensions, with hydraulic locks and cylinder travel at +160/-130mm, and have five modes: suspension, rigid locking, automatic leveling, complete-vehicle lifting, single-point lifting. Each axle load cannot exceed 12t. Moreover, the suspension system has good trafficability and applies to various severe working conditions and roads, guaranteeing the traveling smoothness and lateral stability. With this suspension system, you will feel comfortable during driving.

Brake system

- Dual circuit, pneumatic brake, disc brake
- Service brake: all wheels are equipped with air-servo dual-circuit disc brakes. Parking brake: It acts on the 2nd - 6th axles through the accumulator.
- Auxiliary brake: On the engine, there is engine brake, exhaust brake and transmission oil retarder.

Steering System

- The steering system is equipped with a servo-power steering gear, a dual-circuit hydraulic steering system, and an emergency braking pump. In addition, the steering strategy is dependent on the speed: from 30km/h, the 3rd and 4th axles don't steer, and from 60km/h, the 5th and 6th axles don't steer.
- There are six steering modes: 1) Highway driving mode (default mode); 2) full-steering mode; 3) crab mode; 4) unbiased steering mode; 5) independent rear axle; 6) rear axle locked

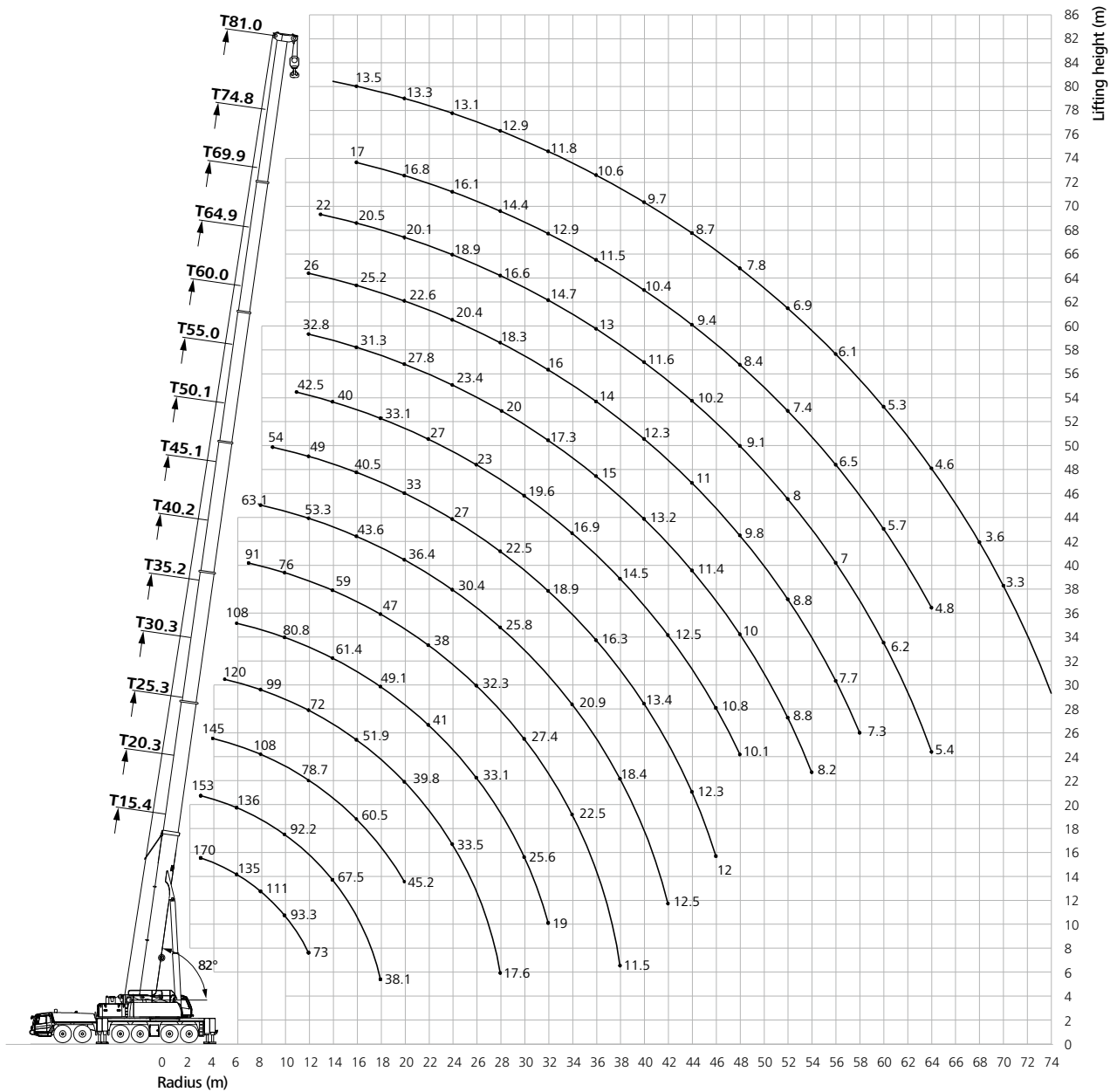
Outrigger

- The outrigger beam, being of dual H-shape, can extend/retract in two stages. Its hydraulic system adopts the electric proportional control technology and is equipped with wireless remote controller, and its control panel could display the carried load and have the automatic leveling and other functions, featuring high control accuracy and easy operation.

Electrical System

- The adopted 24V DC power supply could cut off the power supply of undercarriage; crane is equipped with illumination system. In addition, it is easy and convenient that vehicle actions, such as accelerator and outriggers, are controlled electrically. The electrical system has strong capabilities of detection, logic and calculation, and such functions as self-diagnosis of faults, centralized display and self-protection;
- The chassis adopts CAN BUS system and thus is characterized with fast data, stability and accuracy; multi-functional centralized display system; protection level as high as IP65; as low as 5w of power consumes; there are four functional buttons on user interface; LCD display has adjustable contrast ratio.

Operating Range – Telescopic Boom



Load Chart – Telescopic Boom

Unit: metric ton

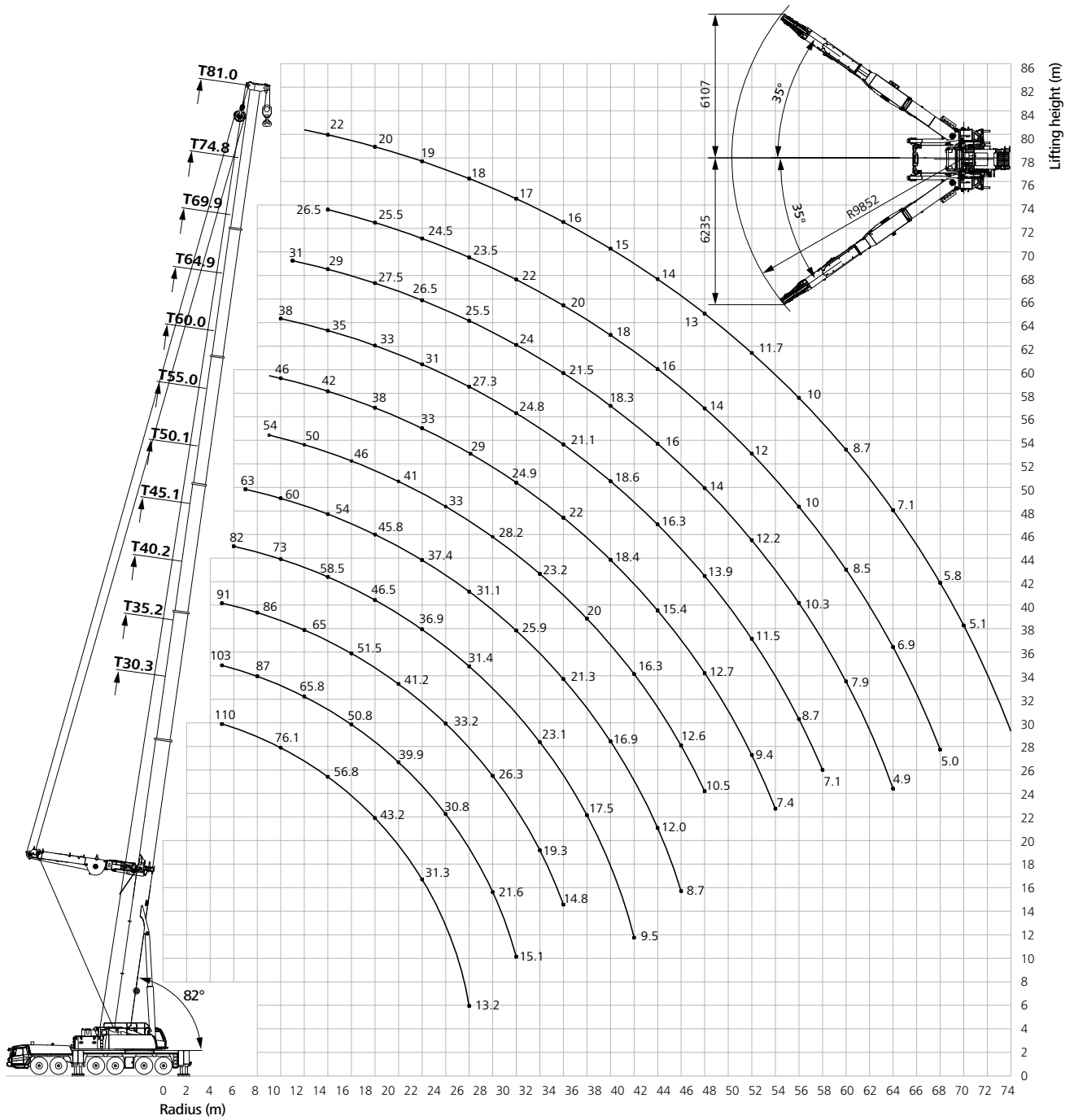


| Boom length | | | | | | | | | | | | | | | | |
|------------------|--------|-------|-------|-------|-------|-------|-------|-------|-------|------|------|-------|-------|-------|------|------------------|
| Radius(m) | 15.4m* | 15.4m | 20.3m | 25.3m | 30.2m | 35.2m | 40.2m | 45.1m | 50.1m | 55m | 60m | 64.9m | 69.9m | 74.8m | 81m | Radius(m) |
| 3 | 350.0 | 170.0 | | | | | | | | | | | | | | 3 |
| 3.5 | 210.0 | 170.0 | 153.0 | | | | | | | | | | | | | 3.5 |
| 4 | 190.0 | 170.0 | 153.0 | 145.0 | | | | | | | | | | | | 4 |
| 4.5 | 180.0 | 159.0 | 145.0 | 140.0 | | | | | | | | | | | | 4.5 |
| 5 | 170.0 | 149.0 | 140.0 | 138.0 | 120.0 | | | | | | | | | | | 5 |
| 6 | 150.0 | 135.0 | 136.0 | 125.0 | 118.0 | 108.0 | | | | | | | | | | 6 |
| 7 | 135.0 | 122.0 | 121.8 | 118.2 | 109.0 | 103.0 | 91.0 | | | | | | | | | 7 |
| 8 | 120.0 | 111.0 | 110.4 | 108.0 | 99.0 | 95.0 | 86.0 | 63.1 | | | | | | | | 8 |
| 9 | 110.0 | 101.7 | 100.7 | 97.9 | 92.0 | 87.6 | 81.0 | 60.6 | 54.0 | | | | | | | 9 |
| 10 | 95.0 | 93.3 | 92.2 | 91.0 | 84.5 | 80.8 | 76.0 | 58.3 | 52.7 | | | | | | | 10 |
| 11 | 87.0 | 84.2 | 84.9 | 83.9 | 78.0 | 74.5 | 73.0 | 56.0 | 51.0 | 42.5 | | | | | | 11 |
| 12 | 75.0 | 73.0 | 79.5 | 78.7 | 72.0 | 69.8 | 68.0 | 53.3 | 49.0 | 42.0 | 32.8 | 26.0 | | | | 12 |
| 13 | | 58.0 | 73.4 | 72.5 | 65.0 | 65.4 | 64.0 | 50.9 | 46.4 | 41.0 | 32.6 | 25.7 | 22.0 | | | 13 |
| 14 | | | 67.5 | 68.0 | 58.3 | 61.4 | 59.0 | 48.5 | 44.7 | 40.0 | 32.4 | 25.5 | 21.0 | | | 14 |
| 16 | | | 55.5 | 60.5 | 51.9 | 54.6 | 55.0 | 43.6 | 40.5 | 36.3 | 31.3 | 25.2 | 20.5 | 17.0 | 13.5 | 16 |
| 18 | | | 38.1 | 53.6 | 43.9 | 49.1 | 47.0 | 39.5 | 36.4 | 33.1 | 29.0 | 24.5 | 20.3 | 16.9 | 13.4 | 18 |
| 20 | | | | 45.2 | 39.8 | 44.5 | 41.2 | 36.4 | 33.0 | 29.6 | 27.8 | 22.6 | 20.1 | 16.8 | 13.3 | 20 |
| 22 | | | | | 36.3 | 41.0 | 38.0 | 33.0 | 29.8 | 27.0 | 25.4 | 21.7 | 20.0 | 16.7 | 13.2 | 22 |
| 24 | | | | | 33.5 | 37.5 | 35.0 | 30.4 | 27.0 | 25.0 | 23.4 | 20.4 | 18.9 | 16.1 | 13.1 | 24 |
| 26 | | | | | 29.2 | 33.1 | 32.3 | 28.1 | 24.5 | 23.0 | 21.6 | 19.5 | 17.7 | 15.2 | 13.0 | 26 |
| 28 | | | | | 17.6 | 29.5 | 29.8 | 25.8 | 22.5 | 21.4 | 20.0 | 18.3 | 16.6 | 14.4 | 12.9 | 28 |
| 30 | | | | | | 25.6 | 27.4 | 24.2 | 20.5 | 19.6 | 18.5 | 17.0 | 15.6 | 13.8 | 12.5 | 30 |
| 32 | | | | | | 19.0 | 24.8 | 22.4 | 18.9 | 18.0 | 17.3 | 16.0 | 14.7 | 12.9 | 11.8 | 32 |
| 34 | | | | | | | 22.5 | 20.9 | 17.4 | 16.9 | 16.0 | 15.0 | 13.7 | 12.3 | 11.0 | 34 |
| 36 | | | | | | | 18.3 | 19.7 | 16.3 | 15.6 | 15.0 | 14.0 | 13.0 | 11.5 | 10.6 | 36 |
| 38 | | | | | | | 11.5 | 18.4 | 15.0 | 14.5 | 14.0 | 12.9 | 12.1 | 11.0 | 10! | 38 |
| 40 | | | | | | | | 17.3 | 13.4 | 13.3 | 13.2 | 12.3 | 11.6 | 10.4 | 9.7 | 40 |
| 42 | | | | | | | | 12.5 | 12.9 | 12.5 | 12.1 | 11.5 | 10.9 | 9.9 | 9.2 | 42 |
| 44 | | | | | | | | | 12.3 | 11.7 | 11.4 | 11.0 | 10.2 | 9.4 | 8.7 | 44 |
| 46 | | | | | | | | | 12.0 | 10.8 | 10.7 | 10.3 | 9.5 | 8.9 | 8.2 | 46 |
| 48 | | | | | | | | | | 10.1 | 10.0 | 9.8 | 9.1 | 8.4 | 7.8 | 48 |
| 50 | | | | | | | | | | | 9.4 | 9.2 | 8.5 | 7.8 | 7.4 | 50 |
| 52 | | | | | | | | | | | 8.8 | 8.8 | 8.0 | 7.4 | 6.9 | 52 |
| 54 | | | | | | | | | | | 8.2 | 8.3 | 7.5 | 7.0 | 6.4 | 54 |
| 56 | | | | | | | | | | | | 7.7 | 7.0 | 6.5 | 6.1 | 56 |
| 58 | | | | | | | | | | | | 7.3 | 6.6 | 6.0 | 5.7 | 58 |
| 60 | | | | | | | | | | | | | 6.2 | 5.7 | 5.3 | 60 |
| 62 | | | | | | | | | | | | | 5.8 | 5.2 | 4.9 | 62 |
| 64 | | | | | | | | | | | | | 5.4 | 4.8 | 4.6 | 64 |
| 66 | | | | | | | | | | | | | | | 4.2 | 66 |
| 68 | | | | | | | | | | | | | | | 3.6 | 68 |
| 70 | | | | | | | | | | | | | | | 3.3 | 70 |
| Rate | 23* | 13 | 12 | 11 | 9 | 8 | 7 | 5 | 4 | 4 | 3 | 2 | 2 | 2 | 1 | Rate |
| Wind speed (m/s) | 14.5 | 14.5 | 14.5 | 13.0 | 13.0 | 11.3 | 11.3 | 11.3 | 11.3 | 11.3 | 11.3 | 11.3 | 11.3 | 11.3 | 11.3 | Wind speed (m/s) |

Remarks:

- 1.* refers to operation at right astern with lifting attachments.
2. Data above are the max. capacity when the crane is in a level condition on solid ground.
3. Data above are the max. capacity of a certain boom length which includes various telescopic combinations.
4. Load data are given with hook and lifting slings considered.
5. Load capacity is given according to the larger radius value when the actual radius falls between two numbers above.

Operating Range – Telescopic Boom with Superlift Device



Load Chart – Telescopic Boom with Superlift Device

Unit: metric ton

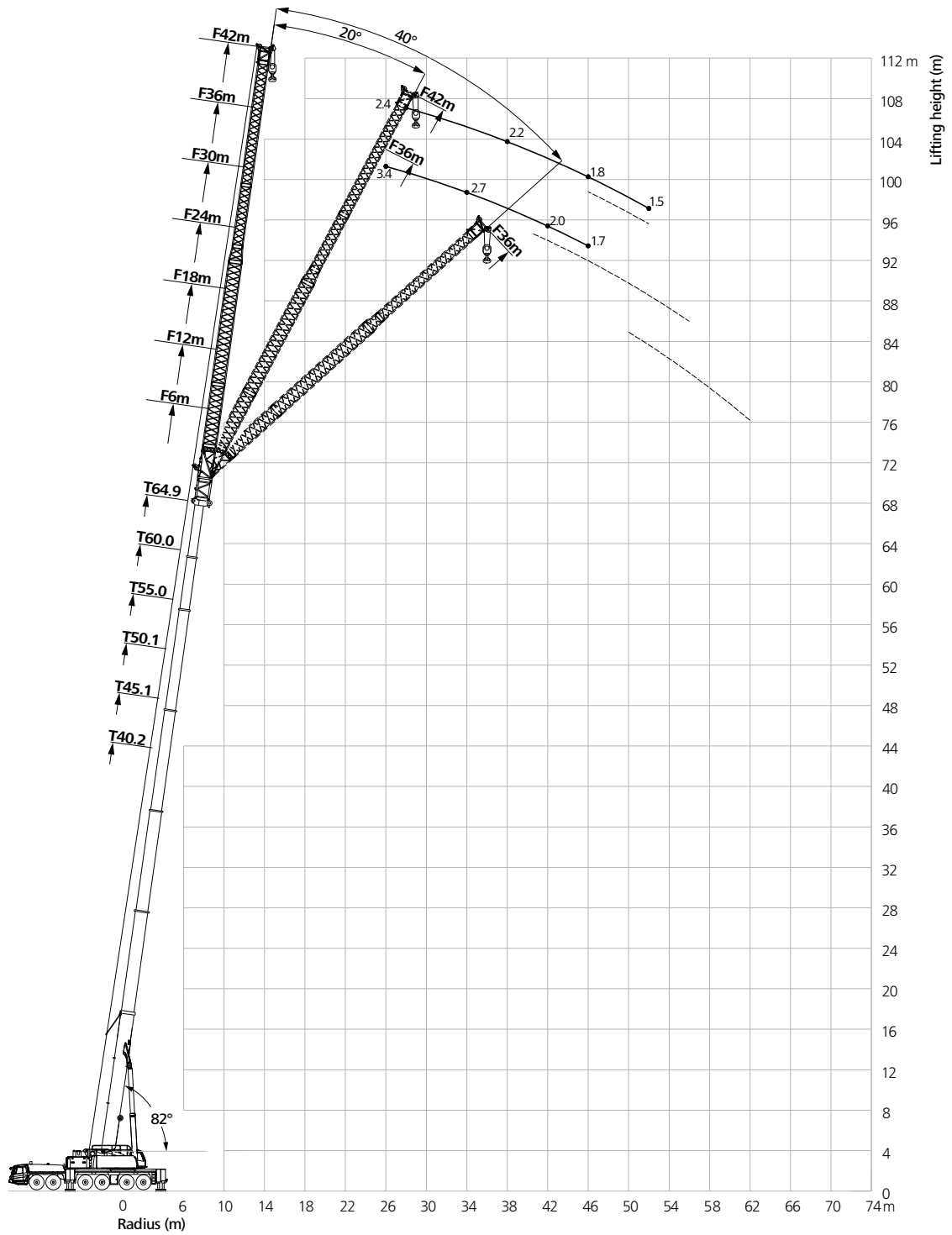


| Boom length | | | | | | | | | | | | |
|------------------|-------|-------|-------|-------|-------|------|------|-------|-------|-------|------|------------------|
| Radius(m) | 30.2m | 35.2m | 40.2m | 45.1m | 50.1m | 55m | 60m | 64.9m | 69.9m | 74.8m | 81m | Radius(m) |
| 7 | 110.0 | 103.0 | 91.0 | | | | | | | | | 7 |
| 8 | 105.0 | 99.0 | 90.0 | 82.0 | | | | | | | | 8 |
| 9 | 95.0 | 95.0 | 89.0 | 81.0 | 63.0 | | | | | | | 9 |
| 10 | 90.0 | 87.0 | 86.0 | 80.0 | 62.0 | | | | | | | 10 |
| 11 | 82.6 | 80.0 | 80.0 | 78.0 | 61.0 | 54.0 | 47.0 | | | | | 11 |
| 12 | 76.1 | 75.0 | 74.0 | 73.0 | 60.0 | 53.0 | 46.0 | 38.0 | | | | 12 |
| 13 | 70.5 | 70.3 | 69.0 | 68.0 | 59.0 | 52.0 | 45.0 | 37.0 | 31.0 | | | 13 |
| 14 | 65.5 | 65.8 | 65.0 | 65.0 | 58.0 | 50.0 | 44.0 | 36.0 | 30.0 | | | 14 |
| 16 | 56.8 | 57.6 | 58.0 | 58.5 | 54.0 | 48.0 | 42.0 | 35.0 | 29.0 | 26.5 | 22.0 | 16 |
| 18 | 49.6 | 50.8 | 51.5 | 52.0 | 50.0 | 46.0 | 40.0 | 34.0 | 28.0 | 26.0 | 21.0 | 18 |
| 20 | 43.2 | 45.0 | 45.9 | 46.5 | 45.8 | 44.0 | 38.0 | 33.0 | 27.5 | 25.5 | 20.0 | 20 |
| 22 | 37.2 | 39.9 | 41.2 | 41.5 | 41.3 | 41.0 | 36.0 | 32.0 | 27.0 | 25.0 | 19.5 | 22 |
| 24 | 31.3 | 35.2 | 37.0 | 36.9 | 37.4 | 36.0 | 33.0 | 31.0 | 26.5 | 24.5 | 19.0 | 24 |
| 26 | 24.5 | 30.8 | 33.2 | 34.0 | 34.1 | 33.0 | 31.0 | 29.0 | 26.0 | 24.0 | 18.5 | 26 |
| 28 | 13.2 | 26.4 | 29.7 | 31.4 | 31.1 | 31.1 | 29.0 | 27.3 | 25.5 | 23.5 | 18.0 | 28 |
| 30 | | 21.6 | 26.3 | 28.5 | 28.4 | 28.2 | 26.4 | 26.0 | 25.0 | 23.0 | 17.5 | 30 |
| 32 | | 15.1 | 22.9 | 25.7 | 25.9 | 25.5 | 24.9 | 24.8 | 24.0 | 22.0 | 17.0 | 32 |
| 34 | | | 19.3 | 23.1 | 23.5 | 23.2 | 23.8 | 23.5 | 23.0 | 21.0 | 16.5 | 34 |
| 36 | | | 14.8 | 20.3 | 21.3 | 21.6 | 22.0 | 21.1 | 21.5 | 20.0 | 16.0 | 34 |
| 38 | | | | 17.5 | 19.1 | 20.0 | 20.1 | 19.5 | 19.5 | 19.0 | 15.5 | 36 |
| 40 | | | | 14.2 | 16.9 | 18.1 | 18.4 | 18.6 | 18.3 | 18.0 | 15.0 | 38 |
| 42 | | | | 9.5 | 14.6 | 16.3 | 16.8 | 17.8 | 17.1 | 17.0 | 14.4 | 40 |
| 44 | | | | | 12.0 | 14.5 | 15.4 | 16.3 | 16.0 | 16.0 | 14.0 | 42 |
| 46 | | | | | 8.7 | 12.6 | 14.1 | 14.7 | 15.0 | 15.0 | 13.5 | 44 |
| 48 | | | | | | 10.5 | 12.7 | 13.9 | 14.0 | 14.0 | 13.0 | 46 |
| 50 | | | | | | | 11.1 | 12.8 | 12.8 | 13.0 | 12.5 | 48 |
| 52 | | | | | | | 9.4 | 11.5 | 12.2 | 12.0 | 11.7 | 50 |
| 54 | | | | | | | 7.4 | 10.2 | 11.4 | 11.0 | 11.0 | 52 |
| 56 | | | | | | | | 8.7 | 10.3 | 10.0 | 10.0 | 54 |
| 58 | | | | | | | | 7.1 | 9.1 | 9.3 | 9.6 | 56 |
| 60 | | | | | | | | | 7.9 | 8.5 | 8.7 | 58 |
| 62 | | | | | | | | | 6.5 | 7.6 | 7.9 | 60 |
| 64 | | | | | | | | | 4.9 | 6.9 | 7.1 | 62 |
| 66 | | | | | | | | | | 6.1 | 6.4 | 64 |
| 68 | | | | | | | | | | 5.0 | 5.8 | 66 |
| 70 | | | | | | | | | | | 5.1 | 68 |
| Rate | 8 | 7 | 6 | 6 | 5 | 4 | 3 | 3 | 2 | 2 | 2 | Rate |
| Wind speed (m/s) | 13.0 | 11.3 | 11.3 | 11.3 | 11.3 | 11.3 | 11.3 | 11.3 | 11.3 | 11.3 | 11.3 | Wind speed (m/s) |

Remarks:

- 1.Data above are the max. capacity when the crane is in a level condition on solid ground.
- 2.Data above are the max. capacity of a certain boom length which includes various telescopic combinations.
- 3.Load data are given with hook and lifting slings considered.
- 4.Load capacity is given according to the larger radius value when the actual radius falls between two numbers above.

Operating Range –Jib



Load Chart – Jib

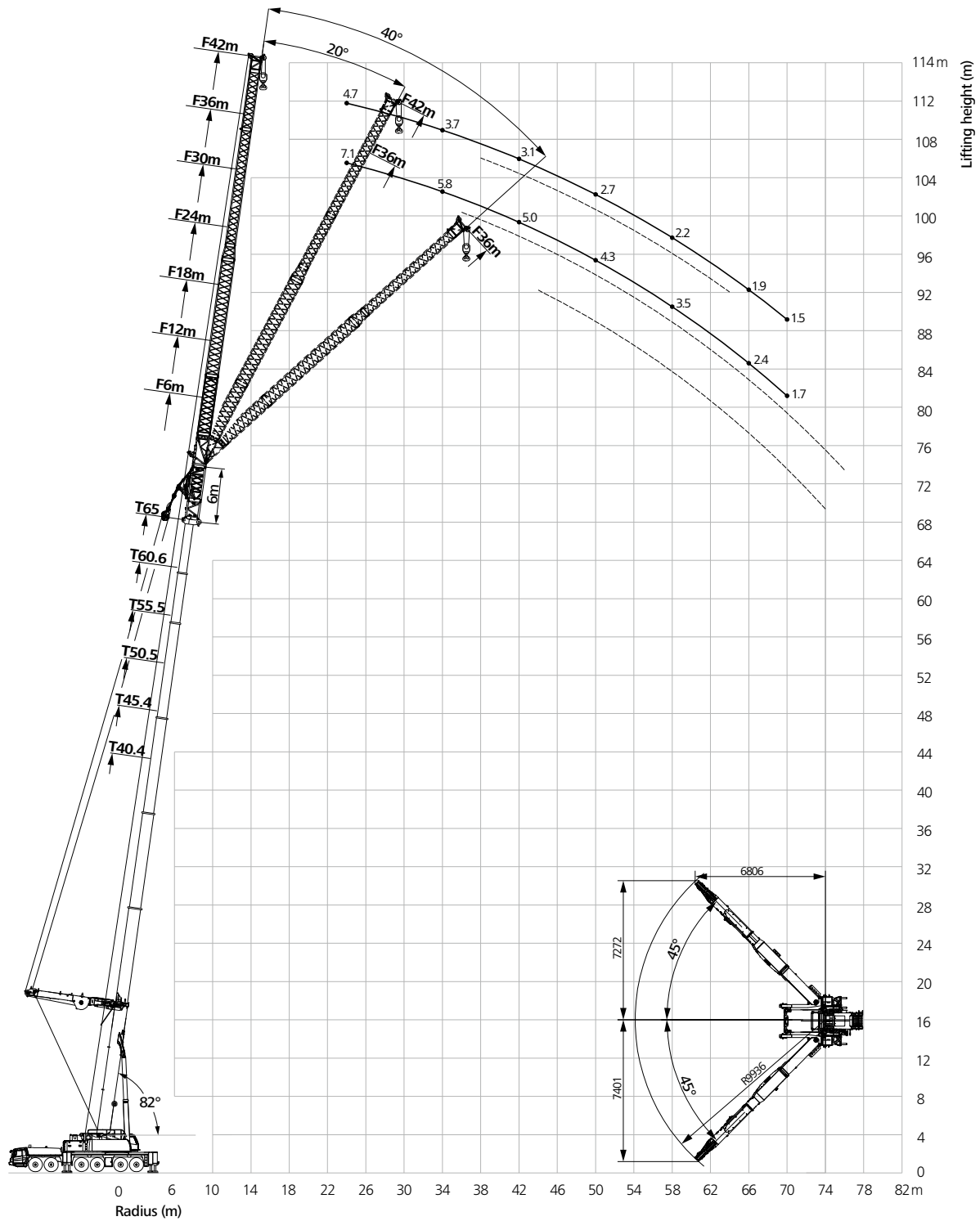
Unit: metric ton



| Telescopic boom + jib length | | | | | | | | | | | | | | | | | | | | |
|------------------------------|-------|-----|-----|-----|-----|-----|-------|-----|-----|-----|-----|-----|-------|-----|-----|-----|-----|-----|------------|------------------|
| Radius (m) | 64.9m | | | | | | 69.9m | | | | | | 74.8m | | | | | | Radius (m) | |
| | 6m | 12m | 18m | 24m | 30m | 36m | 42m | 6m | 12m | 18m | 24m | 30m | 36m | 6m | 12m | 18m | 24m | 30m | | |
| 18 | 11.0 | | | | | | | | | | | | | | | | | | | 18 |
| 20 | 10.5 | 8.7 | 7.0 | | | | | 8.8 | | | | | | | | | | | | 20 |
| 22 | 9.9 | 8.4 | 6.8 | 5.6 | | | | 8.4 | 7.7 | 6.5 | | | | 7.1 | | | | | | 22 |
| 24 | 9.4 | 8.0 | 6.6 | 5.4 | 4.4 | | | 7.9 | 7.4 | 6.2 | 4.8 | | | 6.7 | 6.8 | 5.0 | | | | 24 |
| 26 | 8.8 | 7.6 | 6.3 | 5.3 | 4.3 | 3.4 | | 7.5 | 7.0 | 5.9 | 4.6 | 3.8 | 1.8 | 6.3 | 6.5 | 4.7 | 4.1 | | | 26 |
| 28 | 8.2 | 7.2 | 6.1 | 5.0 | 4.2 | 3.2 | 2.4 | 7.0 | 6.7 | 5.6 | 4.4 | 3.7 | 1.8 | 6.0 | 6.2 | 4.5 | 3.9 | 3.2 | | 28 |
| 30 | 7.7 | 6.8 | 5.8 | 4.9 | 4.0 | 3.1 | 2.4 | 6.6 | 6.3 | 5.3 | 4.3 | 3.5 | 1.8 | 5.6 | 5.9 | 4.3 | 3.8 | 3.1 | | 30 |
| 32 | 7.2 | 6.4 | 5.6 | 4.7 | 3.8 | 2.9 | 2.3 | 6.1 | 6.0 | 5.0 | 4.2 | 3.4 | 1.8 | 5.3 | 5.6 | 4.1 | 3.7 | 3.0 | | 32 |
| 34 | 6.7 | 6.0 | 5.3 | 4.5 | 3.7 | 2.7 | 2.2 | 5.8 | 5.6 | 4.8 | 3.9 | 3.2 | 1.8 | 4.9 | 5.3 | 3.9 | 3.5 | 2.8 | | 34 |
| 36 | 6.2 | 5.7 | 5.0 | 4.3 | 3.5 | 2.6 | 2.2 | 5.4 | 5.3 | 4.5 | 3.8 | 3.1 | 1.8 | 4.6 | 5.0 | 3.7 | 3.3 | 2.7 | | 36 |
| 38 | 5.8 | 5.3 | 4.8 | 4.1 | 3.4 | 2.3 | 2.2 | 5.0 | 5.0 | 4.3 | 3.6 | 3.0 | 1.8 | 4.3 | 4.6 | 3.6 | 3.2 | 2.6 | | 38 |
| 40 | 5.4 | 5.0 | 4.5 | 3.8 | 3.3 | 2.2 | 2.1 | 4.7 | 4.6 | 4.1 | 3.4 | 2.9 | 1.8 | 4.0 | 4.4 | 3.4 | 3.0 | 2.5 | | 40 |
| 42 | 5.0 | 4.6 | 4.2 | 3.7 | 3.1 | 2.0 | 2.0 | 4.4 | 4.4 | 4.0 | 3.2 | 2.7 | 1.7 | 3.7 | 4.1 | 3.3 | 2.8 | 2.4 | | 42 |
| 44 | 4.6 | 4.3 | 3.9 | 3.4 | 3.0 | 1.8 | 1.9 | 4.0 | 4.1 | 3.8 | 3.0 | 2.6 | 1.6 | 3.5 | 3.8 | 3.2 | 2.7 | 2.3 | | 44 |
| 46 | 4.3 | 4.0 | 3.7 | 3.2 | 2.8 | 1.7 | | 3.7 | 3.8 | 3.2 | 2.8 | 2.5 | | 3.2 | 3.6 | 3.1 | 2.5 | 2.2 | | 46 |
| 48 | 4.0 | 3.7 | 3.4 | 3.0 | 2.6 | | | 3.5 | 3.5 | 3.1 | 2.7 | 2.3 | | 3.0 | 3.3 | 2.9 | 2.4 | 2.0 | | 48 |
| 50 | 3.7 | 3.4 | 3.2 | 2.8 | 2.4 | | | 3.2 | 3.2 | 2.9 | 2.5 | 2.1 | | 2.8 | 3.1 | 2.8 | 2.2 | 1.9 | | 50 |
| 52 | 3.4 | 3.1 | 3.0 | 2.6 | 2.2 | | | 2.9 | 3.0 | 2.8 | 2.3 | 2.0 | | 2.6 | 2.8 | 2.7 | 2.0 | 1.7 | | 52 |
| 54 | 3.0 | 2.9 | 2.7 | 2.4 | 2.1 | | | 2.7 | 2.7 | 2.6 | 2.1 | 1.8 | | 2.4 | 2.7 | 2.6 | 1.9 | | | 54 |
| 56 | 2.7 | 2.6 | 2.5 | 2.2 | 1.9 | | | 2.4 | 2.5 | 2.4 | 1.9 | 1.7 | | 2.2 | 2.4 | 2.5 | 1.7 | | | 56 |
| 58 | 2.5 | 2.4 | 2.3 | 2.0 | 1.8 | | | 2.2 | 2.3 | 2.2 | 1.8 | | | 1.7 | 2.2 | 2.1 | | | | 58 |
| 60 | 2.2 | 2.2 | 2.1 | 1.8 | | | | 1.8 | 2.1 | 2.0 | | | | | 2.0 | 1.9 | | | | 60 |
| 62 | 1.9 | 1.9 | | | | | | | 1.8 | | | | | | 1.7 | | | | | 62 |
| Rate | 1 | 1 | 1 | 1 | 1 | 1 | 1 | 1 | 1 | 1 | 1 | 1 | 1 | 1 | 1 | 1 | 1 | 1 | 1 | Rate |
| Wind speed (m/s) | 9.0 | 9.0 | 9.0 | 9.0 | 9.0 | 9.0 | 9.0 | 9.0 | 9.0 | 9.0 | 9.0 | 9.0 | 9.0 | 9.0 | 9.0 | 9.0 | 9.0 | 9.0 | 9.0 | Wind speed (m/s) |

- Remarks:
- 1.Data above are the max. capacity when the crane is in a level condition on solid ground.
 - 2.Data above are the max. capacity of a certain boom length which includes various telescopic combinations.
 - 3.Load data are given with hook and lifting slings considered.
 - 4.Load capacity is given according to the larger radius value when the actual radius falls between two numbers above.

Operating Range – Jib with Superlift Device



Load Chart – Jib with Superlift Device

Unit: metric ton



| Telescopic boom + jib length | | | | | | | | | | | | | | | | | | | | |
|------------------------------|-------|------|------|------|-----|-----|-----|-------|------|------|-----|-----|-----|-------|------|------|-----|-----|------------------|----|
| Radius (m) | 64.9m | | | | | | | 69.9m | | | | | | 74.8m | | | | | Radius (m) | |
| | 6m | 12m | 18m | 24m | 30m | 36m | 42m | 6m | 12m | 18m | 24m | 30m | 36m | 6m | 12m | 18m | 24m | 30m | | |
| 18 | 23.4 | 21.2 | | | | | | 18.8 | | | | | | | 15.0 | | | | | 18 |
| 20 | 22.9 | 20.7 | 16.2 | | | | | 18.3 | 17.0 | | | | | | 14.6 | | | | | 20 |
| 22 | 22.2 | 20.3 | 15.5 | 11.8 | 9.0 | | | 17.7 | 16.6 | 12.9 | | | | | 14.2 | 13.6 | | | | 22 |
| 24 | 21.3 | 19.6 | 14.9 | 11.3 | 8.6 | 7.1 | 4.7 | 17.0 | 16.3 | 12.4 | 9.4 | 7.2 | | 13.6 | 13.3 | 10.3 | | | | 24 |
| 26 | 20.5 | 18.9 | 14.3 | 10.8 | 8.2 | 6.8 | 4.4 | 16.4 | 15.7 | 11.9 | 9.0 | 6.9 | 5.4 | 13.1 | 13.0 | 9.9 | 7.5 | 5.5 | | 26 |
| 28 | 19.3 | 18.1 | 13.8 | 10.4 | 7.9 | 6.5 | 4.2 | 15.4 | 15.1 | 11.5 | 8.6 | 6.6 | 5.2 | 12.3 | 12.5 | 9.5 | 7.2 | 5.3 | | 28 |
| 30 | 18.1 | 17.2 | 13.2 | 10.0 | 7.6 | 6.2 | 4.0 | 14.5 | 14.5 | 11.0 | 8.3 | 6.3 | 5.0 | 11.6 | 12.1 | 9.2 | 6.9 | 5.1 | | 30 |
| 32 | 16.9 | 16.2 | 12.8 | 9.6 | 7.3 | 6.0 | 3.9 | 13.5 | 13.8 | 10.6 | 8.0 | 6.1 | 4.8 | 10.8 | 11.6 | 8.8 | 6.7 | 4.9 | | 32 |
| 34 | 15.3 | 14.4 | 12.3 | 9.3 | 7.0 | 5.8 | 3.7 | 12.5 | 13.0 | 10.2 | 7.7 | 5.8 | 4.6 | 10.0 | 11.0 | 8.4 | 6.4 | 4.7 | | 34 |
| 36 | 13.5 | 12.9 | 11.8 | 9.0 | 6.8 | 5.5 | 3.6 | 11.6 | 12.2 | 9.9 | 7.4 | 5.6 | 4.4 | 9.3 | 10.4 | 8.2 | 6.1 | 4.5 | | 36 |
| 38 | 11.9 | 11.5 | 10.6 | 8.6 | 6.6 | 5.4 | 3.4 | 10.6 | 11.3 | 9.5 | 7.2 | 5.4 | 4.3 | 8.5 | 9.7 | 7.9 | 5.9 | 4.4 | | 38 |
| 40 | 10.5 | 10.2 | 9.6 | 8.3 | 6.3 | 5.2 | 3.3 | 9.8 | 10.5 | 9.2 | 6.9 | 5.2 | 4.2 | 7.8 | 9.1 | 7.6 | 5.7 | 4.2 | | 40 |
| 42 | 9.3 | 9.0 | 8.6 | 8.0 | 6.1 | 5.0 | 3.1 | 9.0 | 9.4 | 8.7 | 6.7 | 5.1 | 4.0 | 7.2 | 8.4 | 7.4 | 5.5 | 4.0 | | 42 |
| 44 | 8.1 | 8.1 | 7.8 | 7.7 | 5.8 | 4.8 | 3.0 | 8.2 | 7.2 | 7.9 | 6.4 | 4.9 | 3.8 | 6.6 | 7.8 | 7.1 | 5.3 | 3.9 | | 44 |
| 46 | 7.1 | 7.2 | 7.0 | 7.0 | 5.6 | 4.6 | 2.9 | 7.4 | 6.6 | 7.1 | 6.2 | 4.7 | 3.7 | 6.0 | 5.7 | 6.9 | 5.1 | 3.7 | | 46 |
| 48 | 6.1 | 6.4 | 6.3 | 6.4 | 5.4 | 4.5 | 2.8 | 6.5 | 6.0 | 6.4 | 6.0 | 4.5 | 3.6 | 5.4 | 5.2 | 6.5 | 5.0 | 3.6 | | 48 |
| 50 | 5.3 | 5.7 | 5.6 | 5.8 | 5.1 | 4.3 | 2.7 | 5.6 | 5.5 | 5.8 | 5.8 | 4.4 | 3.5 | 4.9 | 4.8 | 5.9 | 4.8 | 3.5 | | 50 |
| 52 | 4.5 | 5.0 | 5.0 | 5.2 | 4.7 | 4.2 | 2.6 | 4.9 | 5.0 | 5.2 | 5.3 | 4.2 | 3.3 | 4.5 | 4.4 | 5.3 | 4.7 | 3.3 | | 52 |
| 54 | 3.8 | 4.3 | 4.5 | 4.7 | 4.3 | 4.0 | 2.4 | 4.1 | 4.4 | 4.6 | 4.8 | 4.0 | 3.2 | 4.0 | 4.0 | 4.7 | 4.5 | 3.2 | | 54 |
| 56 | 3.1 | 3.7 | 4.0 | 4.2 | 3.9 | 3.8 | 2.4 | 3.4 | 3.8 | 4.1 | 4.3 | 3.8 | 3.1 | 3.6 | 3.6 | 4.2 | 4.4 | 3.1 | | 56 |
| 58 | 2.2 | 3.1 | 3.5 | 3.8 | 3.5 | 3.5 | 2.2 | 2.8 | 3.2 | 3.6 | 3.9 | 3.3 | 3.0 | 3.2 | 3.0 | 3.7 | 4.0 | 3.0 | | 58 |
| 60 | | 2.4 | 3.0 | 3.4 | 3.2 | 3.2 | 2.2 | 2.0 | 2.5 | 3.1 | 3.5 | 3.0 | 2.9 | 2.6 | 2.2 | 3.2 | 3.6 | 2.7 | | 60 |
| 62 | | 1.8 | 2.6 | 3.0 | 2.9 | 2.9 | 2.0 | | 2.0 | 2.7 | 3.1 | 2.7 | 2.8 | 1.8 | 1.8 | 2.8 | 3.2 | 2.5 | | 62 |
| 64 | | 1.4 | 2.2 | 2.5 | 2.5 | 2.7 | 2.0 | | 1.8 | 2.3 | 2.6 | 2.4 | 2.6 | | | 2.4 | 2.7 | 2.2 | | 64 |
| 66 | | | 1.6 | 1.9 | 2.1 | 2.4 | 1.9 | | 1.5 | 1.8 | 2.0 | 1.9 | 2.3 | | | 1.9 | 2.1 | 1.5 | | 66 |
| 68 | | | | 1.6 | 1.4 | 2.0 | 1.9 | | | | 1.7 | | 1.9 | | | 1.4 | 1.8 | | | 68 |
| 70 | | | | | | 1.7 | 1.5 | | | | | | 1.6 | | | | 1.5 | | | 70 |
| Rate | 2 | 2 | 2 | 1 | 1 | 1 | 1 | 2 | 2 | 1 | 1 | 1 | 1 | 2 | 1 | 1 | 1 | 1 | Rate | |
| Wind speed (m/s) | 9.0 | 9.0 | 9.0 | 9.0 | 9.0 | 9.0 | 9.0 | 9.0 | 9.0 | 9.0 | 9.0 | 9.0 | 9.0 | 9.0 | 9.0 | 9.0 | 9.0 | 9.0 | Wind speed (m/s) | |

Remarks:

- 1.Data above are the max. capacity when the crane is in a level condition on solid ground.
- 2.Data above are the max. capacity of a certain boom length which includes various telescopic combinations.
- 3.Load data are given with hook and lifting slings considered.
- 4.Load capacity is given according to the larger radius value when the actual radius falls between two numbers above.



Sany Automobile Hoisting Machinery Co., Ltd.

No.168, Jinzhou Avenue, Jinzhou Development Zone, Changsha, Hunan, China

Postcode 410600

Tel +86 731-8787 3131 Fax +86 731-8403 1999-196

Service 400 887 8318 Consulting 400 887 9318

Email qzjyx@sany.com.cn

Reminder:

For safe and reliable operation of the diesel engines, please fill Grade IV machines with Grade IV diesel and urea solution conforming to related national standards. Please refer to the operating instructions and related standards for details.

Any change in the technical parameters and configuration due to advancement in technology may occur without prior notice. The machine in the figures may include auxiliary equipment. This brochure is for reference only, and goods in kind shall prevail.

Copyright at Sany Heavy Industry. No part of this catalogue may be copied, recorded or used for any purpose without written approval from Sany Heavy Industry.

© Printed in January 2020 in China

www.sanyglobal.com

