

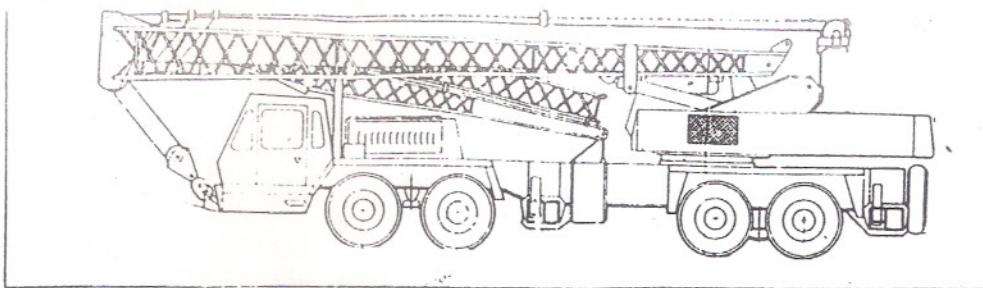
Technical Specification 1060-1  
This leaflet cancels Specification 1060-11

# COLES

## Hydra Truck 45/50T

- Maximum Capacity — 45 tonnes (100,000 lb) through full circle slew.
- Maximum Hook Height — 51 m (167' 0")
- Chassis — 8 x 4
- Road Speed — 65 km/h (40 miles/h)
- Maximum Hoist Speed — 152 m/min (500 ft/min)
- Engine HP — 230 bhp at 2300 revs/min
- Minimum Axle Loads  
front axles 7.89 tonnes each  
rear bogie 10.66 tonnes each
- Boom — 5 section 10.67 m (35' 0") to 41.76 m (137' 0") sections.





Teleskooppipuomi 10,6 m - 31,7 m hydraulinen + 10,0 m ristikko

- leveys ajokunnossa 2,5 m
- korkeus ajokunnossa 3,6 m
- pituus ajokunnossa 12,9 m
- paino työkunnossa 39,5 t
- leveys tuettuna 7,2 m

#### NOSTOKYKYTAULUKKO

Säde / m	Puomin pituus / m						Säde / m
	10,67	10,67- 12,19	12,19- 15,24	15,24- 18,29	18,29 21,33	21,33 24,69	
3,00	50,00	34,50					3,00
3,50	45,50	34,50	33,00				3,50
4,50	33,25	32,70	29,30	27,35			4,50
6,00	25,00	25,00	25,00	24,15	19,50		6,00
7,50	19,40	19,40	19,40	19,40	16,75	15,40	7,50
9,00			14,40	14,40	14,40	13,50	9,00
10,50				10,75	10,75	10,75	10,50
12,00				8,05	8,05	8,05	12,00
15,00					5,15	5,15	15,00
18,00					3,20	3,20	18,00
21,00						1,95	21,00

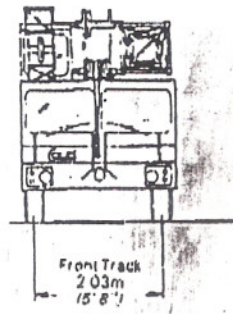
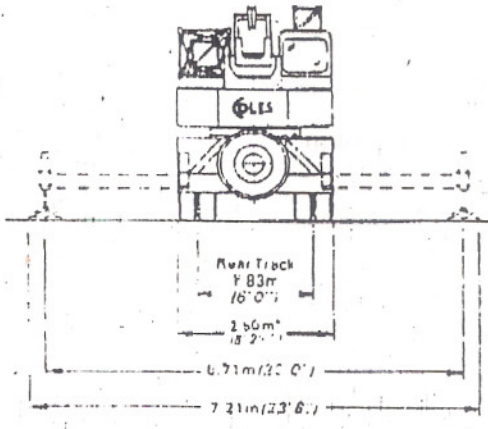
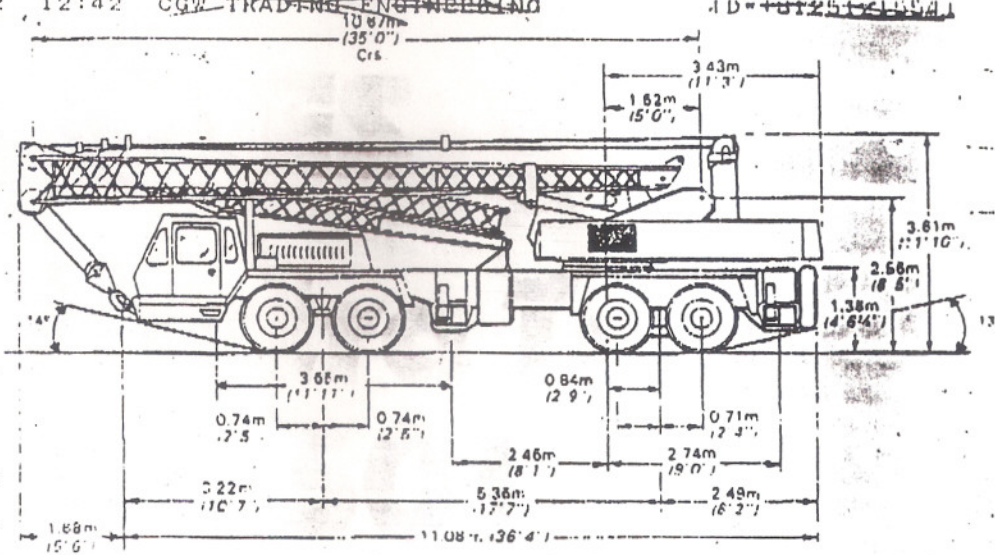
#### NOSTOKYKYTAULUKKO

Ristikkojatke tai mekaaninen jatke kulmassa.

Puomin kulma °	Puomin pituus / m						Puomin kulma °
	10,67-26,69			17,69-31,70			
	Mekaaninen jatke / m 7,01		Ristikko jatke / m 10,05	Ristikko jatke / m 10,06			
	Kapasit.	Säde	Kapasit.	Säde	Kapasit.	Säde	
76	10,20	8,10	8,45	9,30	4,88	11,60	76
73	9,60	9,45	7,37	11,00	4,53	13,55	73
70	8,25	11,00	6,35	12,65	4,20	15,55	70
65	6,35	13,40	5,13	15,40	3,35	18,75	65
60	5,05	15,85	4,10	18,00	2,75	22,00	60
55	3,85	18,00	3,13	20,40	2,10	24,85	55
50	2,95	20,25	2,40	22,70	1,50	27,60	50
45	2,35	22,10	1,85	24,70			45
40	1,90	23,95	1,45	26,65			40
35	1,53	25,60					35
30	1,25	26,35					30

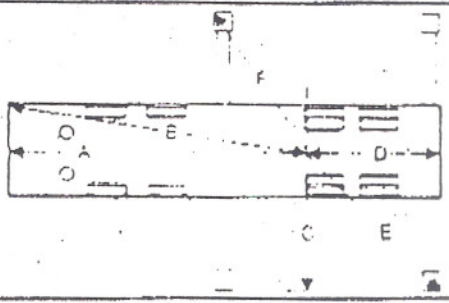


E. HELAAKOSKI OY



Fitment of 12 60 - 20 - 20 PR tyres all round increases overall height to 3.62 m (11'11") and width to 2.54 m (8'4").

**CLEAR OUTREACH** — according to position of boom



Key	Position of Boom Relative to Chassis	Deduct from Radius	
A	Over Front	7.67m	25' 2"
B	Over Front Corners	7.77m	25' 6"
C	Over Sides	3.61m	11' 10"
D	Over Rear	3.33m	10' 11"
E	Over Rear Corners	4.78m	15' 9"
F	Over Centre Outriggers	4.60m	15' 1"

AXLE LOADINGS	Front Axles			Rear Bogie			Total Weight		
	kg	tons	lb	kg	tons	lb	kg	tons	lb
Complete machine 4 part telescopic boom, lattice extension and multi-fall hookblock - less spare wheel	17098	16.83	37701	21482	21.14	47367	38580	37.97	84048
Complete machine with 4 part telescopic boom, Less lattice extension, multi-fall hookblock and spare wheel	15773	15.52	34779	21312	20.98	46992	37085	36.50	81772

Allowance should be made to computed totals to allow for variation in component weights and addition of optional and extra equipment